

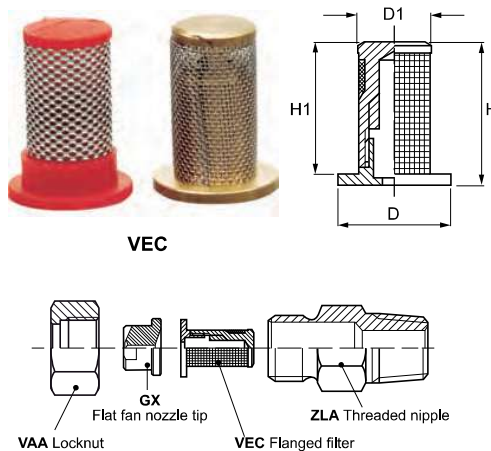
## HAT FILTERS

VEA series hat-shaped filters are specially designed for 3/8" flanged nozzles and ZPB clamps.

- Mesh number 50, 75, 100 mesh
- Materials Collar **T9** Copper  
Wire net **B3** AISI 316 Stainless steel
- Typical application Filtering before spraying liquids

| Code               | D mm | D1 mm | H mm | H1 mm | M mesh | Nozzle code |
|--------------------|------|-------|------|-------|--------|-------------|
| <b>VEA 0138 T9</b> | 14,5 | 9,5   | 8,5  | 7,3   | 100    | GX          |
| <b>VEA 0238 T9</b> |      |       |      |       | 75     | BX          |
| <b>VEA 0338 T9</b> |      |       |      |       | 50     | FX<br>KX    |

# VEC (FLANGED FILTERS)



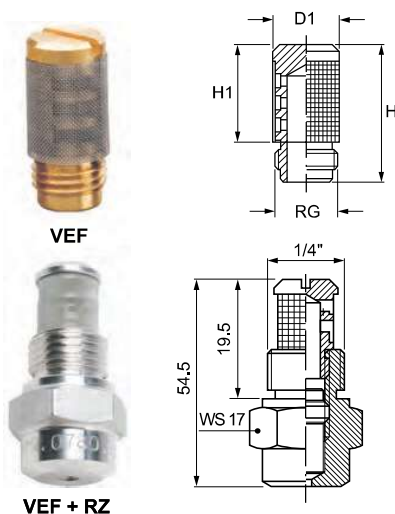
## FLANGED FILTERS

VEC check-valve filters are specially designed for 3/8" flanged nozzles. Large filtering surface grants long exercise period without cleaning necessity. We recommend to assemble these filters on small capacity nozzles to avoid clogging and enhance their performance.

- Materials Body **B1** AISI 303 Stainless steel  
**B31** AISI 316L Stainless steel  
**D3** Nylon  
**T1** Brass
- Wire net **B2** AISI 304 Stainless steel
- Typical application Filtering before spraying liquids

| Code               | D mm | D1 mm | H mm | H1 mm | M mesh | Nozzle code |
|--------------------|------|-------|------|-------|--------|-------------|
| <b>VEC 0138 xx</b> | 15.0 | 10.0  | 20.0 | 18.5  | 100    | GX          |
| <b>VEC 0238 xx</b> |      |       |      |       | 75     | BX          |
| <b>VEC 0338 xx</b> |      |       |      |       | 50     | FX<br>KX    |

# VEF (THREADED FILTERS)



## THREADED FILTERS

VEF threaded filters are specially designed for 1/4" J series flat fan nozzles and RX/RZ hollow cone nozzles. They provide a top filtering action and protect nozzle tips. We recommend to assemble threaded filters on small capacity nozzles to avoid clogging and enhance their performance.

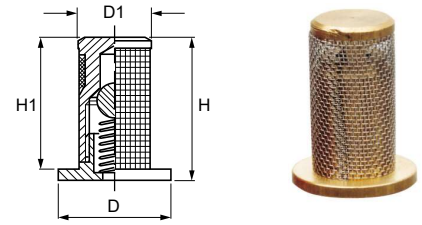
- Thread size 3/8" UNF
- Mesh number 50, 75, 100 mesh
- Materials Body **B1** AISI 303 Stainless steel  
**B3** AISI 316 Stainless steel  
**B31** AISI 316L Stainless steel  
**T1** Brass
- Wire net **B2** AISI 304 Stainless steel
- Typical application Filtering before spraying liquids

| Code               | D1 mm | RG inch | H mm | H1 mm | M mesh | Nozzle code      |
|--------------------|-------|---------|------|-------|--------|------------------|
| <b>VEF 0411 xx</b> | 8.1   | M7      | 15.7 | 13.2  | 120    | <b>JA</b> (1/8") |
| <b>VEF 0138 xx</b> | 10.2  | 3/8"UNF | 21.0 | 15.0  | 100    | <b>JB</b> (1/4") |
| <b>VEF 0238 xx</b> |       |         |      |       | 75     | <b>RX</b> (1/4") |
| <b>VEF 0338 xx</b> |       |         |      |       | 50     | <b>RZ</b> (1/4") |

**CHECK-VALVE FILTERS**

VED series check-valve filters are specially designed for 3/8" flanged nozzles. VED filters contain a one-way ball valve to avoid dripping when spray is turned off. They also serve to protect the nozzle tips. We recommend to assemble check-valve filters on small capacity nozzles to avoid clogging and enhance their performance.

- **Opening pressure** 0.35, 0.70, 1.40, 2.00, 2.80 bar
- **Wire net mesh size** 50, 80, 100 mesh
- **Materials** Body
  - B1** AISI 303 Stainless steel
  - B31** AISI 316L Stainless steel
  - D3** Nylon
  - T1** Brass
- Wire net **B2** AISI 304 Stainless steel



**VED**

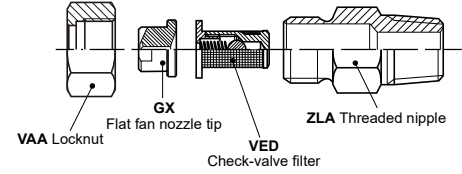


Table for body material: **AISI 303, AISI 316L, brass**

| Code         | D mm | D1 mm | H mm | H1 mm | M mesh | Opening bar |
|--------------|------|-------|------|-------|--------|-------------|
| VED 0138 xxA | 15.0 | 10.0  | 20.0 | 18.5  | 100    | 0.35        |
| VED 0238 xxA | 15.0 | 10.0  | 20.0 | 18.5  | 80     | 0.35        |
| VED 0338 xxA | 15.0 | 10.0  | 20.0 | 18.5  | 50     | 0.35        |
| VED 0138 xxB | 15.0 | 10.0  | 20.0 | 18.5  | 100    | 0.70        |
| VED 0238 xxB | 15.0 | 10.0  | 20.0 | 18.5  | 80     | 0.70        |
| VED 0338 xxB | 15.0 | 10.0  | 20.0 | 18.5  | 50     | 0.70        |
| VED 0138 xxC | 15.0 | 10.0  | 20.0 | 18.5  | 100    | 1.40        |
| VED 0238 xxC | 15.0 | 10.0  | 20.0 | 18.5  | 80     | 1.40        |
| VED 0338 xxC | 15.0 | 10.0  | 20.0 | 18.5  | 50     | 1.40        |
| VED 0138 xxD | 15.0 | 10.0  | 20.0 | 18.5  | 100    | 2.80        |
| VED 0238 xxD | 15.0 | 10.0  | 20.0 | 18.5  | 80     | 2.80        |
| VED 0338 xxD | 15.0 | 10.0  | 20.0 | 18.5  | 50     | 2.80        |

**CARTRIDGE SIZE TABLE**

To figure out mesh sizes one has to count the number of openings from the centre of any one wire to the centre of a parallel wire one inch away. The number of openings in a filter cartridge is the mesh size. We highly recommend to add filters to small capacity nozzles to hold fine particulate matter. Please refer to the table below.

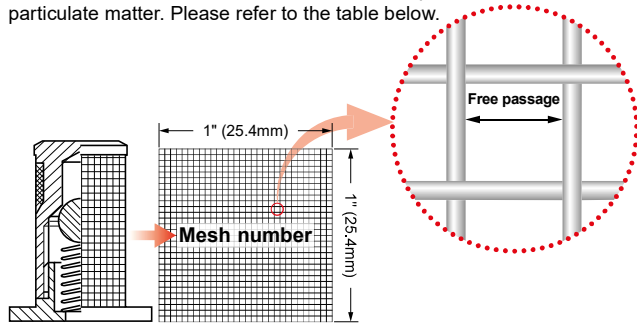


Table for body material: **nylon**

| Code         | D mm | D1 mm | H mm | H1 mm | M mesh | Opening bar |
|--------------|------|-------|------|-------|--------|-------------|
| VED 0138 xxB | 15.0 | 10.0  | 20.0 | 18.5  | 100    | 0.70        |
| VED 0238 xxB | 15.0 | 10.0  | 20.0 | 18.5  | 80     | 0.70        |
| VED 0338 xxB | 15.0 | 10.0  | 20.0 | 18.5  | 50     | 0.70        |
| VED 0138 xxE | 15.0 | 10.0  | 20.0 | 18.5  | 100    | 2.00        |
| VED 0338 xxE | 15.0 | 10.0  | 20.0 | 18.5  | 50     | 2.00        |

**HOW TO CHOSE THE PROPER FILTER ?**

The largest filter free passage < nozzle orifice

| Mesh number | Free passage mm |
|-------------|-----------------|
| 30 - 32     | 0.6 - 0.58      |
| 50          | 0.3             |
| 60          | 0.25            |
| 75          | 0.2             |
| 80          | 0.18            |
| 100         | 0.15            |
| 150         | 0.1             |
| 200         | 0.075           |

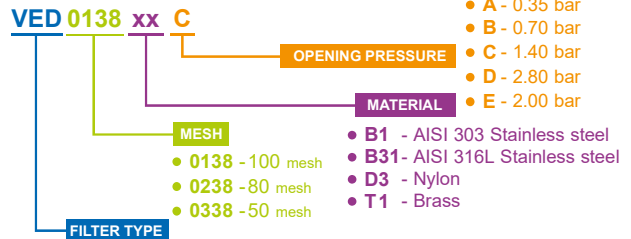
If the nozzle tip diameter is 0.3 mm, we suggest you to choose a 60 mesh filter or more (free passage 0.25 mm). Please consider that the higher is the number of mesh, the greater is the filtering power.

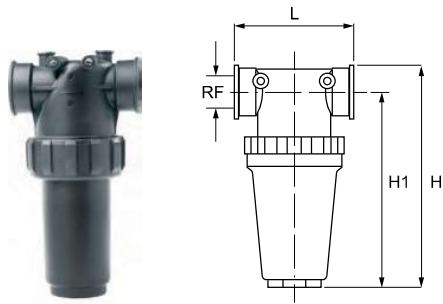
We offer a large assortment of VE series filters for your convenience. Please refer to below table.

| Code                 | VEC | VED | VEF | VEA |
|----------------------|-----|-----|-----|-----|
| <b>B1</b> AISI 303   | •   | •   | •   |     |
| <b>B31</b> AISI 316L | •   | •   | •   |     |
| <b>D3</b> Nylon      | •   | •   |     |     |
| <b>T1</b> Brass      | •   | •   | •   |     |
| <b>T9</b> Copper     |     |     |     | •   |

**HOW TO MAKE UP THE FILTER CODE**

EX.: VED 0138 B1C





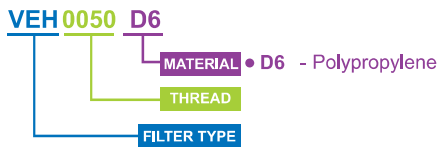
## PLASTIC BODY FILTERS

VEH filters with plastic body are a rational and economic solution for most operating environments. The threaded coupling between bowl and head allows a quick filter cleaning and easy replacement of the cartridge and no need of tools. They have a high particles retention and are durable.

- Inlet / Outlet thread size 1/2", 3/4", 1", 1 1/4", 1 1/2"
- Max steam pressure LP from 10 bar to 15 bar
- Capacity LQ 250 l/min
- Materials Body D6 Polypropylene + 30% Glass fiber
- Seal E0 EPDM
- Cartridge B2 AISI 304 Stainless steel
- Typical application Filtering before spraying liquids

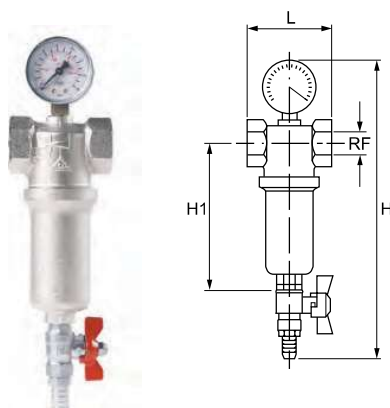
### HOW TO MAKE UP THE FILTER CODE

EX.: VEH 0050 D21



| Code         | RF<br>inch<br>BSPP | H<br>mm | H1<br>mm | L<br>mm | Q<br>l/min | Cartridge    | M<br>mesh |
|--------------|--------------------|---------|----------|---------|------------|--------------|-----------|
| VEH 0050 D21 | 1/2"               | 136     | 118      | 99      | 140        | XVE H050 DA2 | 32        |
| VEH 0051 D21 |                    |         |          |         |            | XVE H051 DA2 | 50        |
| VEH 0052 D21 |                    |         |          |         |            | XVE H052 DA2 | 100       |
| VEH 0075 D21 | 3/4"               | 136     | 118      | 99      | 140        | XVE H050 DA2 | 32        |
| VEH 0076 D21 |                    |         |          |         |            | XVE H051 DA2 | 50        |
| VEH 0077 D21 |                    |         |          |         |            | XVE H052 DA2 | 100       |
| VEH 0100 D21 | 1"                 | 165     | 143      | 107     | 140        | XVE H053 DA2 | 32        |
| VEH 0101 D21 |                    |         |          |         |            | XVE H054 DA2 | 50        |
| VEH 0102 D21 |                    |         |          |         |            | XVE H055 DA2 | 100       |
| VEH 0125 D21 | 1 1/4"             | 279     | 239      | 146     | 250        | XVE H060 DA2 | 32        |
| VEH 0126 D21 |                    |         |          |         |            | XVE H061 DA2 | 50        |
| VEH 0127 D21 |                    |         |          |         |            | XVE H062 DA2 | 100       |
| VEH 0150 D21 | 1 1/2"             | 279     | 239      | 146     | 250        | XVE H060 DA2 | 32        |
| VEH 0151 D21 |                    |         |          |         |            | XVE H061 DA2 | 50        |
| VEH 0152 D21 |                    |         |          |         |            | XVE H062 DA2 | 100       |

# VEL ( BRASS BODY FILTERS )



## BRASS BODY FILTERS

VEL type filters with body in brass are the ideal solution for small plants requiring easy cleaning and maintenance. When necessary, simply open the valve at the bottom of the filter and the dirt contained inside the cartridge is easily expelled. A manometer on the filter head shows the outlet pressure hence pressure drop when clogged.

- Inlet / Outlet thread size 1/2", 3/4", 1", 1 1/4", 1 1/2", 2"
- Max operation temperature LT 100°C
- Max steam pressure LP 16 bar
- Materials Body T8 Nickel plated brass
- Cartridge B2 AISI 304 Stainless steel
- Typical application Filtering before spraying liquids

### HOW TO MAKE UP THE FILTER CODE

EX.: VEL 0039 T8

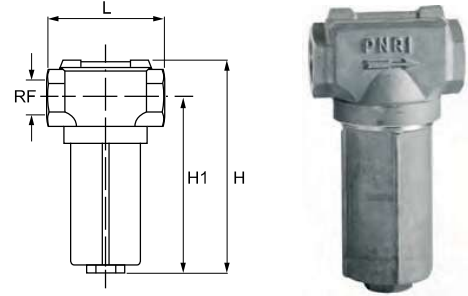


| Code        | RF<br>inch<br>BSPP | H<br>mm | H1<br>mm | L<br>mm | Q<br>l/min | Cartridge   | M<br>mesh |
|-------------|--------------------|---------|----------|---------|------------|-------------|-----------|
| VEL 0039 T8 | 3/8"               | 285     | 133      | 50      | 14         | XVE L171 B2 | 150       |
| VEL 0051 T8 | 1/2"               | 288     | 136      | 56      | 25         |             |           |
| VEL 0076 T8 | 3/4"               | 287     | 132      | 67      | 38         | XVE L172 B2 |           |
| VEL 0101 T8 | 1"                 | 295     | 137      | 80      | 72         |             |           |
| VEL 0126 T8 | 1 1/4"             | 343     | 169      | 92      | 118        | XVE L200 B2 |           |
| VEL 0151 T8 | 1 1/2"             | 356     | 179      | 110     | 178        | XVE L201 B2 |           |
| VEL 0201 T8 | 2"                 | 362     | 179      | 110     | 213        |             |           |

**LARGE CAPACITY FILTERS**

VEM filters are specially designed for high particle retention, easy maintenance and great efficiency in harsh operating conditions. Their bowl houses a large size cartridge for a longer operating life and reduced servicing times. The threaded connection to the filter body allows a quick removal with no need of tools. A plug placed at the bottom of the bowl allows to fit in a ball valve to purge the filter.

- Thread size 1/2", 3/4", 1", 1 1/4", 1 1/2", 2", 2 1/2", 3"
- Wire net mesh size 60, 80 mesh; other sizes available on request
- Max working pressure **LP** 20 bar
- Materials Body & bowl **V1** Aluminium casting  
Cartridge **B2** AISI 304 Stainless steel
- Typical application Filtering before spraying liquids

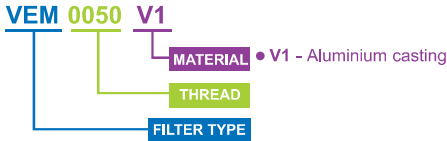


| Mesh number | Free passage mm |
|-------------|-----------------|
| 30 - 32     | 0.6 - 0.58      |
| 50          | 0.3             |
| 60          | 0.25            |
| 75          | 0.2             |
| 80          | 0.18            |
| 100         | 0.15            |
| 150         | 0.1             |
| 200         | 0.075           |

| Code        | RF inch BSSP | H mm | H1 mm | L mm | LP bar | Q l/min | Cartridge   | M mesh | W kg |
|-------------|--------------|------|-------|------|--------|---------|-------------|--------|------|
| VEM 0050 V1 | 1/2"         | 210  | 152   | 105  | 40     | 70      | XVE M075 B2 | 60     | 0.9  |
| VEM 0051 V1 |              |      |       |      |        |         | XVE M076 B2 | 80     |      |
| VEM 0075 V1 | 3/4"         | 210  | 152   | 105  | 40     | 95      | XVE M075 B2 | 60     |      |
| VEM 0076 V1 |              |      |       |      |        |         | XVE M076 B2 | 80     |      |
| VEM 0100 V1 | 1"           | 210  | 152   | 105  | 40     | 140     | XVE M075 B2 | 60     |      |
| VEM 0101 V1 |              |      |       |      |        |         | XVE M076 B2 | 80     |      |
| VEM 0125 V1 | 1 1/4"       | 270  | 210   | 140  | 30     | 280     | XVE M150 B2 | 60     | 1.6  |
| VEM 0126 V1 |              |      |       |      |        |         | XVE M151 B2 | 80     |      |
| VEM 0150 V1 | 1 1/2"       | 270  | 210   | 140  | 30     | 315     | XVE M150 B2 | 60     |      |
| VEM 0151 V1 |              |      |       |      |        |         | XVE M151 B2 | 80     |      |
| VEM 0200 V1 | 2"           | 400  | 318   | 200  | 10     | 750     | XVE M300 B2 | 30     | 5.6  |
| VEM 0201 V1 |              |      |       |      |        |         | XVE M301 B2 | 60     |      |
| VEM 0202 V1 |              |      |       |      |        |         | XVE M302 B2 | 80     |      |
| VEM 0250 V1 | 2 1/2"       | 400  | 318   | 200  | 10     | 810     | XVE M300 B2 | 30     |      |
| VEM 0251 V1 |              |      |       |      |        |         | XVE M301 B2 | 60     |      |
| VEM 0252 V1 |              |      |       |      |        |         | XVE M302 B2 | 80     |      |
| VEM 0300 V1 | 3"           | 400  | 318   | 200  | 10     | 1050    | XVE M300 B2 | 30     |      |
| VEM 0301 V1 |              |      |       |      |        |         | XVE M301 B2 | 60     |      |
| VEM 0302 V1 |              |      |       |      |        |         | XVE M302 B2 | 80     |      |

**HOW TO MAKE UP THE FILTER CODE**

EX.: VEM 0050 V1



FILTERS

( "Y" STYLE FILTER ) **VEQ**

**"Y" STYLE FILTER**

VEQ xxGF B3G filter is widely used in all types of nozzles filtering systems. It allows for quick cleaning and replacement with no need of tools.

- Inlet / Outlet thread size 1/2" 3/4" 1"
- Mesh 60 Mesh
- Max operation temperature **LT** 40°C
- Max operation pressure **LP** 10 bar
- Max capacity **LQ** 80 l/min
- Materials Body **D6** PP, chemically bonded fiberglass  
Cartridge **B3** AISI 316I Stainless steel
- Typical application Filtering before spraying liquids

